



AMERICAN SPECIALTIES, INC.

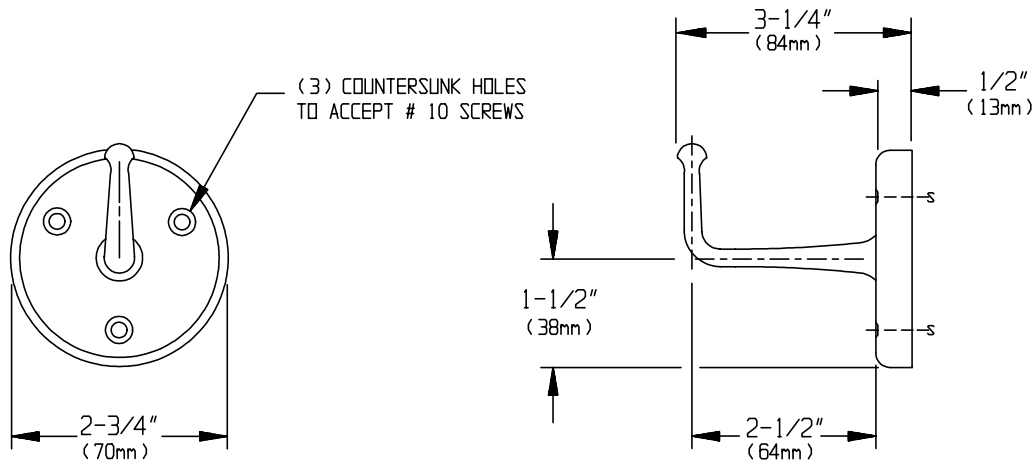
441 Saw Mill River Road, Yonkers, NY 10701 (914) 476-9000

MODEL No: 0751-A

ISSUED: 1-87

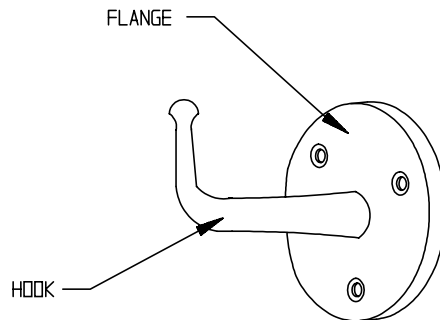
REVISED: 3-04

SURFACE MOUNTED HEAVY DUTY ROBE HOOK



FRONT VIEW

SIDE VIEW



PERSPECTIVE

SPECIFICATION

Surface Mounted Heavy-Duty Robe Hook shall be fabricated of brass with a chrome finish. Three (3) 7/32" (5.6mm) dia. countersunk holes shall be provided for anchoring hook to wall on 2-3/4" (70mm) flange. Hook shall be capable of supporting over 300 lbs. (136.1 kg) when property attached to building element.

Heavy Duty Robe Hook shall be Model N° 0751-A as fabricated by American Specialties, Inc., 441 Saw Mill River Road, Yonkers, New York 10701-4913

INSTALLATION

Unit is surface mounted on wall or partition using N°10 self tapping screws (by others) in a manner capable of supporting 300lbs (136.1kg). Ensure that mounting configuration complies with local building codes. For compliance with ADA Accessibility Guidelines the height of the center-line of the hook above the finished floor (AFF) should not exceed 54" (1372mm) when clear floor side reach access is provided or 48" (1219mm) AFF with clear floor forward reach access only provided.