

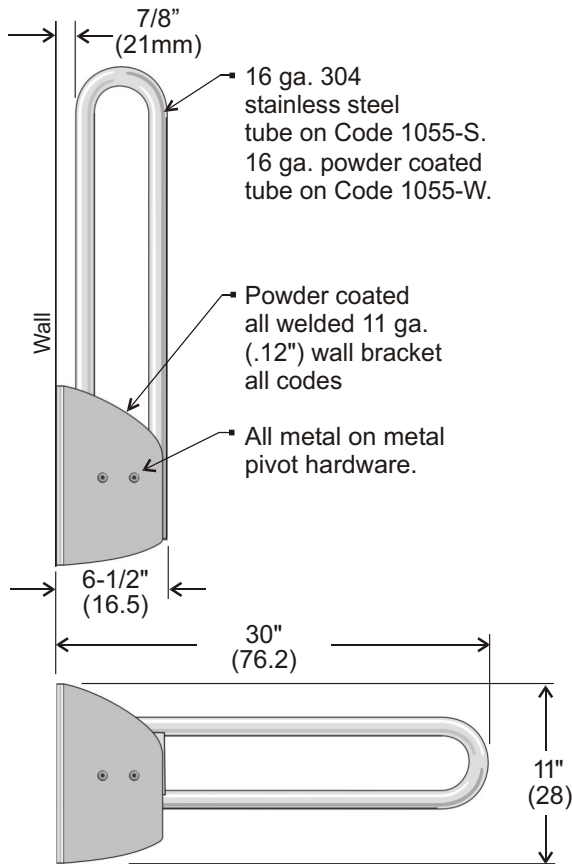


## Flip up / Swing up Safety Rail

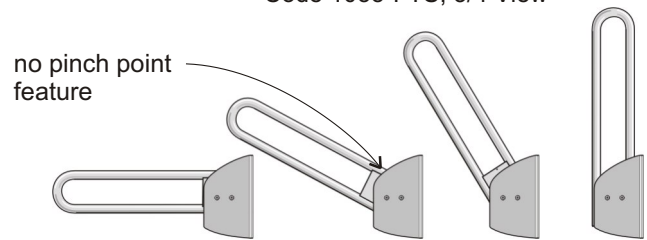
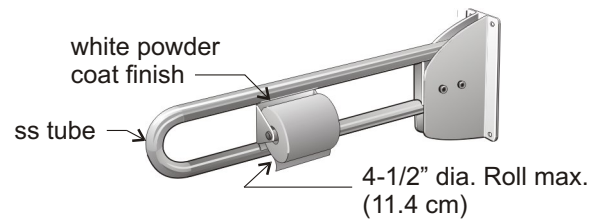
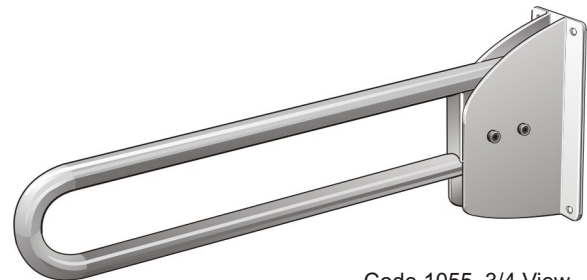
**Code 1055-W** Safety rail, all white finish

**Code 1055-S** Safety rail, stainless steel, (wall bracket in white finish)

**Code 1055-FTS:** Safety rail, stainless steel, with removable toilet paper dispenser in white finish.



Side and retracted view



## Specifications

- Sitelocation:** • These units are highly recommended by barrier-free design experts because they provide the optimum approach path for wheelchair use. Consult applicable codes for specific requirements.
- Materials:** • Tubing is either 16 gauge type 304, 1-1/4" O.D. stainless steel, no. 4 finish or 16 gauge crs in white powder coat finish. Mandrel bending process on all curves maintains uniform bar diameter. Toilet tissue holder is fabricated from 18 ga. crs with white powder coat finish.
- Operation:** • Grab bar is manually lowered to horizontal support position and raised for departure. A locking system enables the flip up grab bar to be locked in either a horizontal or retracted position. Large inner web eliminates potential pinch point during operation.
- Installation:** • Secure to wall where adequate in wall backing exists. Use wall plate as a template to locate mounting holes. Drill holes and set anchors as appropriate. Mount grab bar and secure mounting screws. The 1055 flip up grab bar will sustain loads of 300 lbs. (1.33kN) under it's intended use. Also the types of loads (especially dynamic) applied are hard to predict. It's up to the designer to determine the suitability of the use of these grab bars in this situation.



**Safety Warning:** All grab bars must be installed by qualified trades persons. Installers must consult and comply with local building codes. Mounting hardware and other systems to be determined by contractor and installer pending specific structure, design, and conditions. All installations must be fully inspected and approved by property owners and maintenance personnel prior to product being put into use. Failure to comply to proper installation procedure will void warranty and may result in malfunctioning or injury.