

**Model 5A20 — Partition-Mounted**

- Diplomat Series
- Serves Two Compartments
- Dual Roll

**Product Materials**

**CABINET:** 0.030-inch/22ga.-(0.76 mm) stainless steel with exposed surfaces in architectural satin finish. Welded construction with seamless corners and burr-free edges

**SERVICE DOOR:** 0.030-inch/22ga.-(0.76 mm) stainless steel with exposed surfaces in architectural satin finish and tumbler lock keyed like other Bradley units. Hinged at bottom.

**FLANGE:** 0.030-inch/22ga.-(0.76 mm) stainless steel with exposed surfaces in architectural satin finish. Flange of one-piece seamless construction, 5/8" wide with 1/4" return.

**SPINDLES:** molded polyethylene.

**Capacity**

Double-sided unit includes single-roll dispenser with roll-in-reserve serving each compartment.

**Operation**

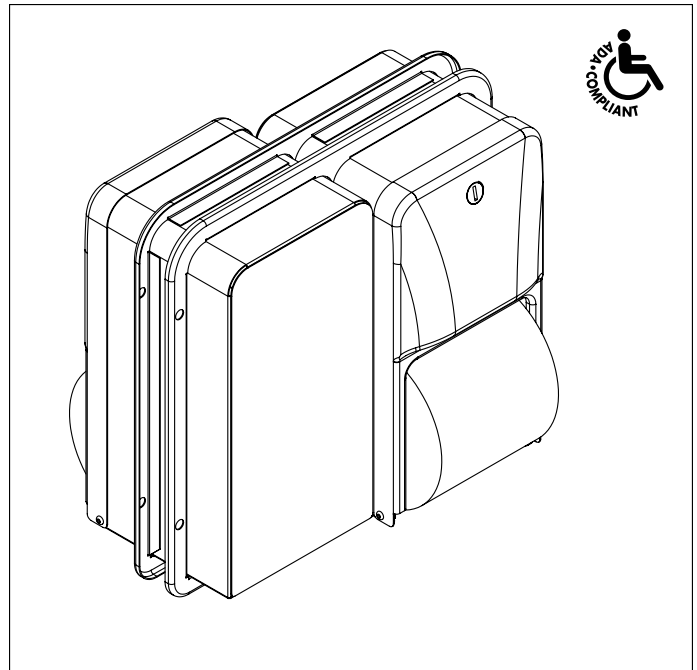
Each cabinet holds two rolls up to 4-1/2"W x 5-1/4" diameter standard core toilet tissue, one above the other. When first roll is used-up, fresh roll automatically drops down for use. Unique retaining mechanism prevents use of spare roll until first roll is completely used. Spindles non-removable by user. Hinged door permits access to storage compartment for servicing of unit. Serves two toilet compartments, dispensing one roll to each side of partition, while holding a second roll in reserve.

**Installation**

Verify all rough-in dimensions prior to installation. Requires partition opening 11 1/8"H x 11 1/2"W. Secure with mounting screws (included) at holes provided.

 **ADA Compliant**

- Consult local and national accessibility codes for proper installation guidelines.
- Conformity and compliance to local and national codes is the responsibility of the installer.


**Guide Specification**

Toilet tissue dispenser unit with contemporary contours, radii, and finish matching related toilet accessories in manufacturer's designer series. Recessed unit mounts through partition to service two compartments. Capacity for two standard-core toilet tissue rolls of up to 5-1/4" (133 mm) diameter on each side; roll-in-reserve drops in place when first roll is depleted. Service door with keyed tumbler lock drops down to enable product loading. Tissue rolls mounted on theft-resistant molded ABS non-controlled delivery spindles. Cabinet, door, and cam formed and welded without seams from 0.030-inch/22 ga. - (0.76 mm) thick stainless steel, with non-directional satin finish on exposed portions.

**Overall dimensions:** 12 1/8"W x 12 1/8"H x 7 3/4"D.

**MasterFormat Title:** Commercial Toilet Accessories

**MasterFormat Number:** 10 28 13.13

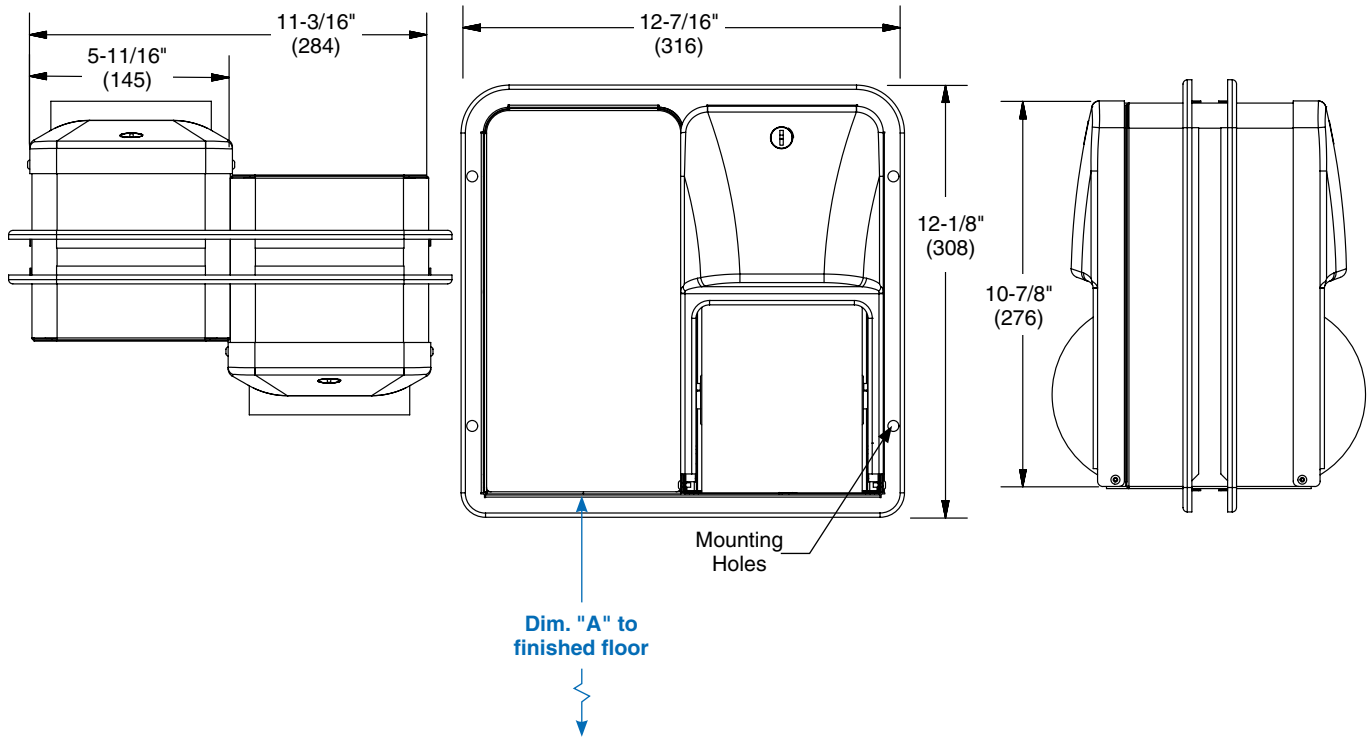
**OmniClass Title:** Toilet and Bath Specialties

**OmniClass Code:** 23.31.25.00

**For information on Warranties, Maintenance and BAA/ARRA Compliance, visit our web site at:**  
[bradleycorp.com/products/accessories/](http://bradleycorp.com/products/accessories/).

## Dimensions

(mm)



<b>Dim. "A" Key Surface:</b>	For Dim. "A"	Top of Rough Wall Opening	Bottom of Rough Wall Opening
Bottom of toilet paper opening to finished floor	20" (508mm)	31¼" (794mm)	20½" (511mm)
	19" (483mm)	30¼" (768mm)	19½" (486mm)
	18" (457mm)	29¼" (743mm)	18½" (460mm)
	17" (432mm)	28¼" (718mm)	17½" (435mm)
	16" (406mm)	27¼" (692mm)	16½" (410mm)
	15" (381mm)	26¼" (667mm)	15½" (384mm)