

Model 5425 — Surface-Mounted **Bradex**[®]

Jumbo Roll

Product Materials

- CABINET & MOUNTING PLATE:** 18 gauge satin finish stainless steel.
- DOOR:** 18 gauge satin finish stainless steel. Drawn one-piece construction. Furnished with tumbler lock and refill-indicator viewing slots.
- DISPENSING MECHANISM:** chemical- and flame-retardant ABS.

Operation

Cabinet holds two 9" diameter rolls of 3" or 2¼" diameter core toilet tissue (by using core adapters). When first roll is depleted, the bottom access panel level is slid to the other side, revealing the second roll. Refill indicator slot reveals tissue level. Tumbler-locked door swings down to replenish tissue rolls.

Installation

Verify all rough-in dimensions prior to installation. Secure unit to wall or toilet partition with five screws (included) through mounting holes.

Guide Specification

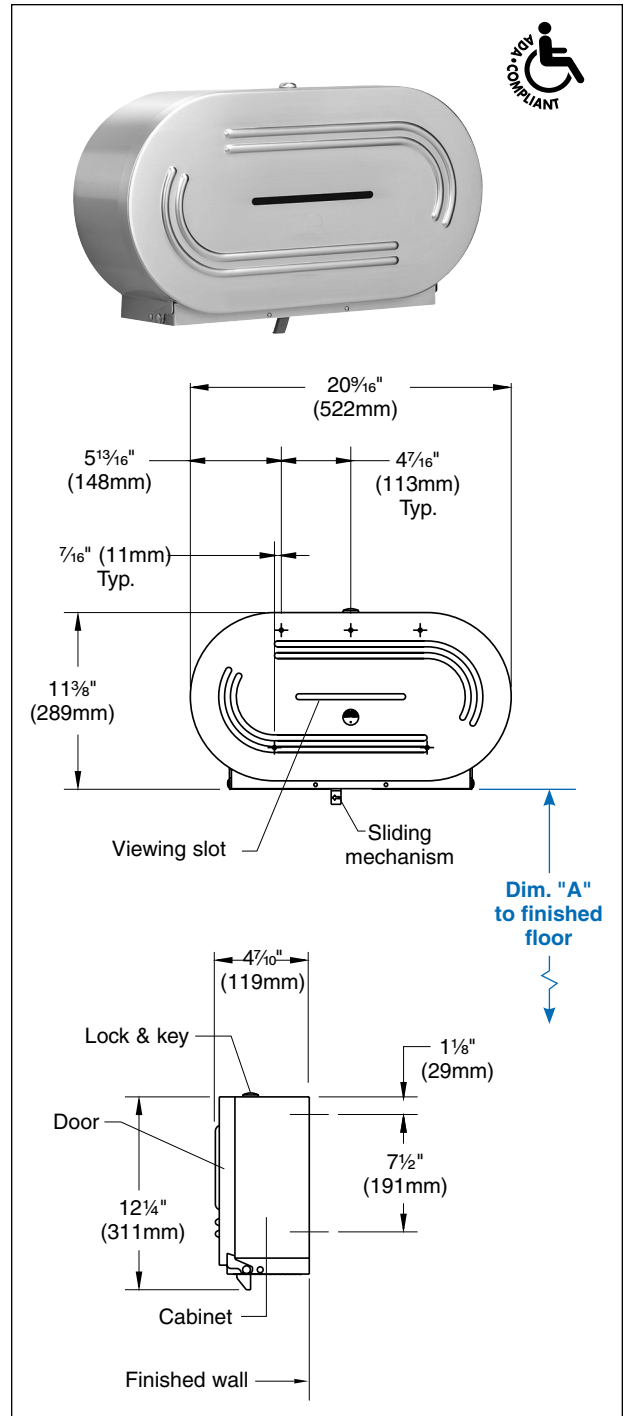
Jumbo roll toilet tissue dispenser shall be 18-gauge satin finish stainless steel. Dispensing mechanism shall be flame and chemical retardant ABS plastic. Unit shall dispense two 9" diameter toilet tissue rolls with 3" or 2¼" diameter core. Unit shall have a sliding access panel to allow dispensing from one roll at a time. Door shall be secured with a tumbler lock and shall have a refill indicator viewing slot.

Overall dimensions: 20⁹/₁₆"W x 11⁵/₁₆"H x 4⁷/₁₆"D.

ADA Compliant

- Consult local and national accessibility codes for proper installation guidelines.
- Conformity and compliance to local and national codes is the responsibility of the installer.

Dim. "A" Key Surface:	For Dim. "A"	Top of Unit	Bottom of Unit
Bottom of toilet paper opening to finished floor	20" (508mm)	31 ⁵ / ₁₆ " (796mm)	20" (508mm)
	19" (483mm)	30 ⁵ / ₁₆ " (770mm)	19" (483mm)
	18" (457mm)	29 ⁵ / ₁₆ " (745mm)	18" (457mm)
	17" (432mm)	28 ⁵ / ₁₆ " (720mm)	17" (432mm)
	16" (406mm)	27 ⁵ / ₁₆ " (694mm)	16" (406mm)
	15" (381mm)	26 ⁵ / ₁₆ " (669mm)	15" (381mm)
Rough wall opening:			
Surface Mount:	No rough wall opening, see overall dimensions		



Orders composed of products indicated as **Bradex**[®] will be available to ship in three days after receipt of order at the factory. There is no pricing penalty for this service from Bradley.